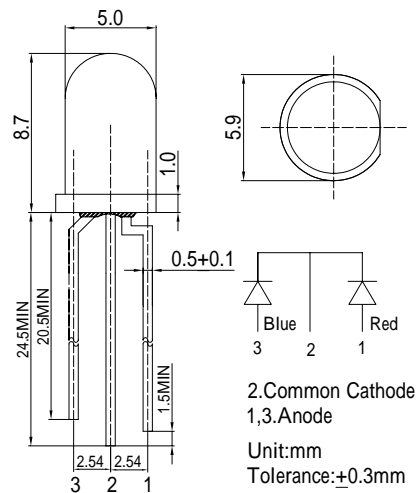


■Features

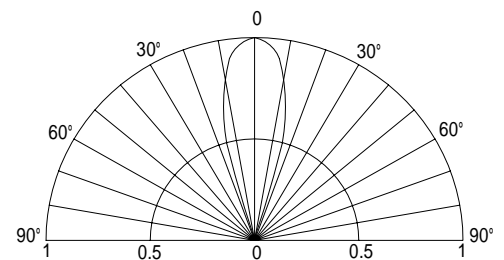
- High Luminous LEDs
- 5mm Round Standard Directivity
- Superior Weather-resistance
- UV Resistant Epoxy
- White Diffused Type

■Applications

- Toys
- Games
- Audio
- Other Lighting

■Outline Dimension

■Absolute Maximum Rating
(Ta=25)

Item	Symbol	Value		Unit
		Red	Blue	
DC Forward Current	I_F	50	30	mA
Pulse Forward Current*	I_{FP}	120	100	mA
Reverse Voltage	V_R	5	5	V
Power Dissipation	P_D	120	108	mW
Operating Temperature	T_{opr}	-30~ +85		
Storage Temperature	T_{stg}	-40 ~ +100		
Lead Soldering Temperature	T_{sol}	260 /5sec		-

■Directivity


*Pulse width Max.10ms Duty ratio max 1/10

■Electrical -Optical Characteristics
(Ta=25)

Item	Symbol	Condition	Min.	Typ.	Max.	Unit
DC Forward Voltage	V_F (Red)	$I_F=20mA$	1.8	2.1	2.4	V
DC Forward Voltage	V_F (Blue)	$I_F=20mA$	2.9	3.1	3.6	V
DC Reverse Current	I_R	$V_R=5V$	-	-	10	μA
Domi. Wavelength*	λ_D (Red)	$I_F=20mA$	619	624	629	nm
	λ_D (Blue)	$I_F=20mA$	465	470	475	nm
Luminous Intensity*	I_v (Red)	$I_F=20mA$	-	4200	-	mcd
	I_v (Blue)	$I_F=20mA$	-	2000	-	mcd
50% Power Angle	$2\theta_{1/2}$	$I_F=20mA$	-	30	-	deg

 *1 Tolerance of dominant wavelength is $\pm 1nm$

 *2 Tolerance of luminous intensity is $\pm 15\%$